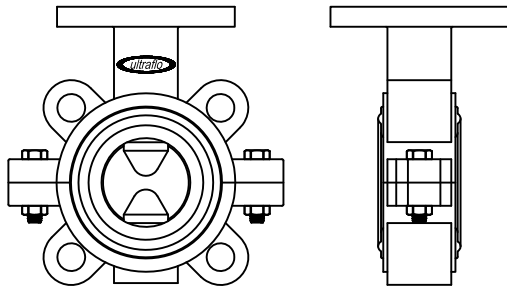
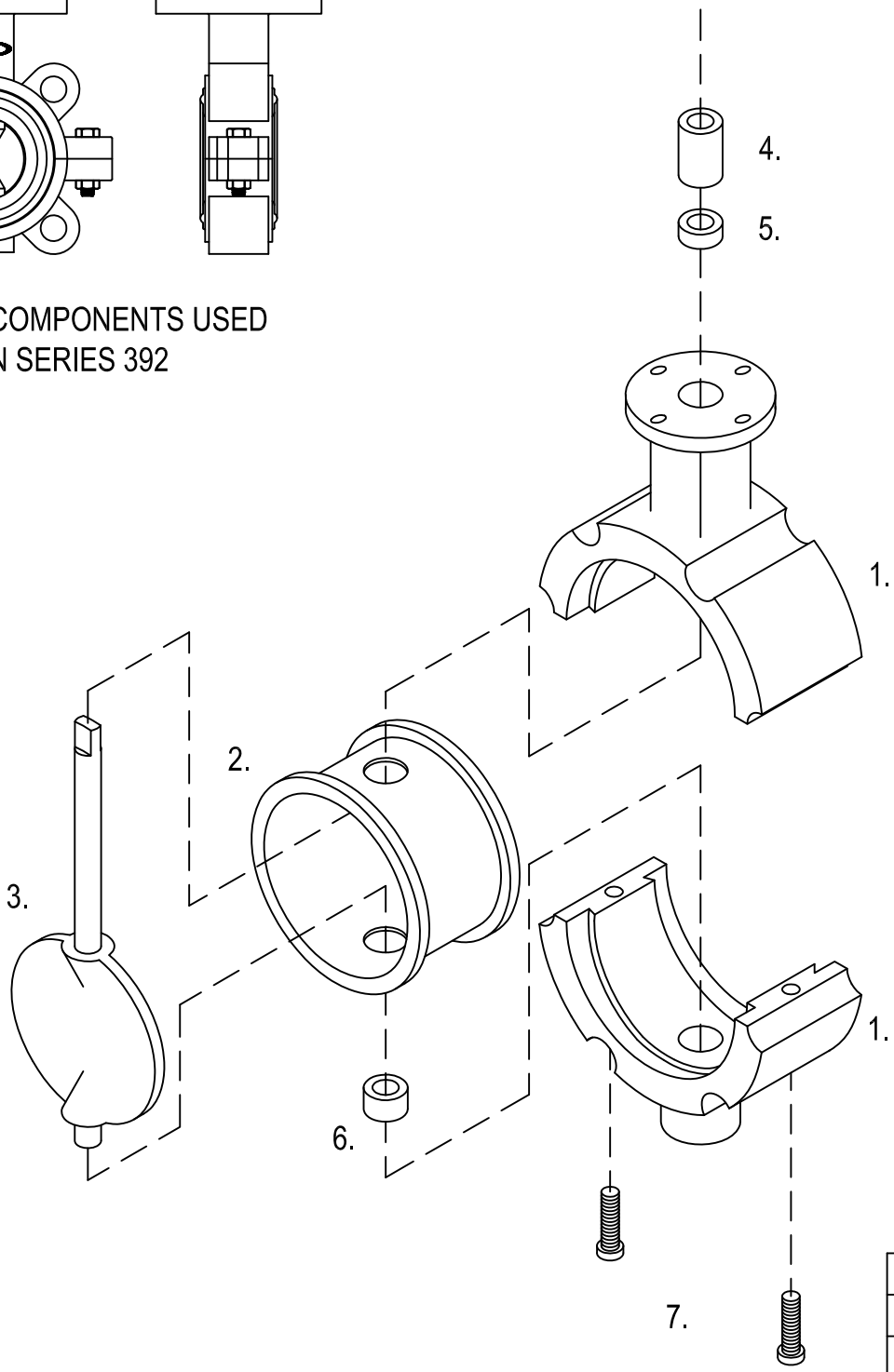


ATTENTION PLEASE CHECK THE ULTRAFLO WEBSITE AT www.ultraflovalve.com TO ENSURE YOU HAVE THE MOST RECENT COPY OF THIS DOCUMENT



SAME COMPONENTS USED
IN SERIES 392



1	HOUSING
2	SEAT
3	DISC STEM
4	UPPER BUSHING
5	PACKING
6	LOWER BUSHING
7	HOUSING BOLTS

ZONE	REV	DATE	BY	APP'D	ECN	DESCRIPTION
A1	1	05/06/10	DSS	TAL	374	UPDATED TITLEBLOCK

		Ultraflo Corporation <small>A Subsidiary of Bray International, Inc.</small>		#8 Trautman Ind. Dr. Ste. Genevieve, Mo. 63670 800-950-1762
		DRAWN BY TJM	NAME TJM	
CHECKED TJM		DATE 04/20/98		ULTRAFLO 399 VALVE
PART:				
ECN:		DWG: 399/392-1		